



LED Digital Clocks

DC Series

The DC series covers four elegant and very slim digital clocks in 7 segment LED technique for displaying time and date. They differ by the character height of 57 or 100 mm and by four or six-digit time and date display. As a standard function the stopwatch is included in all models. The DC series can be operated in 4 free selectable modes: • "Stand-alone" operation with internal quartz or with external DCF radio time code receiver • Slave clock operation, controlled by minute impulses or by self-setting MOBALine code. Numerous execution variants and op-

tions make it possible to fulfill individual customer's requests: • LED display in red, green, blue or yellow • Single- or double-sided clocks • Aluminium housings, black or silver-anodised or in any RAL colour • Wall mounting, ceiling suspension or wall bracket mounting. Options: • Outdoor sensor for temperature display • Interface for RS 232, RS 485, IRIG-B or NTP (LAN) • External buttons for stopwatch • Infrared remote control for easy access to all functions, for the configuration as well as for the stopwatch function.

DC Series – individual variants



Display Features

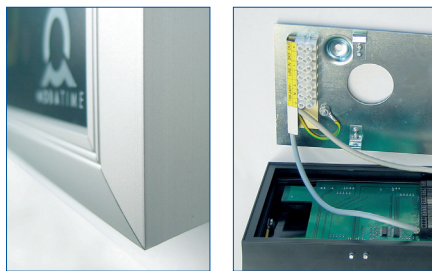
- Time display in four (HH:MM) or six digits (HH:MM SS), either 12 or 24 hours format.
- Date display in four (DD.MM) or six digits (DD.MM.YY).
- Alternating display of time, date and temperature, with adjustable time period for the different figures in the range of 0 – 60 sec.
- Temperature display in °C or °F in combination with an external temperature sensor.
- 7 segment LED with 57 mm (seconds 38 mm) digit height for a viewing distance up to 25 m or 100 mm (seconds 57 mm) digit height for a viewing distance up to 40 m.
- Display available in the colours red, green, blue or yellow.
- Sensor controlled automatic or manual adjustment of the display brightness.

Mechanics

- Anti-reflection front cover made of plexi-glass including a filter layer for best readability over a wide viewing angle.
- Elegant and very slim clock frame, made of black or silver anodised aluminium profiles. Any RAL colour available on request.
- Single- or double-sided execution for wall mounting, ceiling suspension or wall bracket mounting.



- Easy installation and time-saving maintenance due to the back panel which is designed as a mounting plate, on which the clock can be snapped-on and secured with a screw.



Synchronisation

- Autonomous operation with internal quartz time base with programmable, automatic seasonal time change or with external DCF 77 radio time code receiver.
- Slave clock operation with synchronisation by (un)polarised minute-, half-minute- or second-impulses. Alternatively self-setting operation by MOBALine code. Optional available is the synchronisation by RS 232, RS 485, IRIG-B or NTP (LAN).

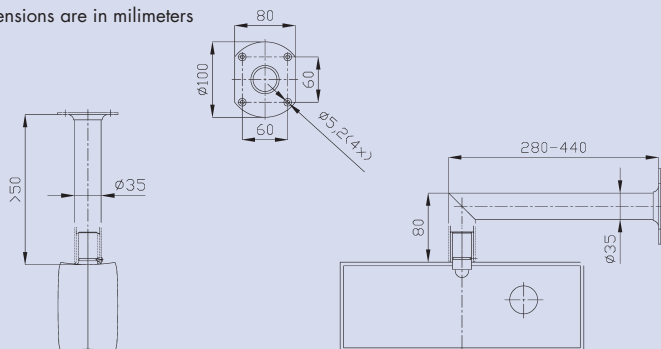
Stopwatch

- Counting upwards from zero up to 24 hours.
- Counting downwards from a specific value either with stop or with automatic restart at zero or counting into negative values.
- Display of time intervals, freezing of display, cumulating of time intervals.
- Counting steps of 1 minute, 1 second or 1/100 seconds.
- Operation via internal buttons, external buttons or IR remote control unit.

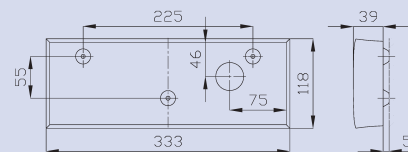
Configuration

Setting of the clock parameters by means of two push buttons on top of the clock frame or via IR remote control unit.

All dimensions are in millimeters

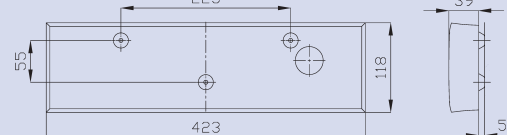


DC.57.4.xNN



Additional 6 mm distance elements shipped with DC

DC.57.6.xNN



... at a glance

Fast and easy ordering ...

Order reference:

Digit height	
Hour / Minute = 57 mm (Second = 38 mm)	57
Hour / Minute = 100 mm (Second = 57 mm)	100
Number of digits	
4 digits (HH:MM)	4
6 digits (HH:MM SS)	6
Display colour	
red	R
green	G
blue	B
yellow	A
Execution	
single-sided	N
double-sided	D
Mounting	
Wall ¹⁾	N
Ceiling suspension ²⁾	S
Wall bracket	B
Case finish	
Black anodised	black
Silver anodised	silver
other RAL colour	RALxxx
Available internal options ³⁾	
RS 232, RS 485 and IRIG-B input	SI
Ethernet interface (Multicast NTP)	LAN
External options ⁴⁾	
Outdoor temperature sensor	TP
External buttons for stopwatch	SK
IR remote control unit	IR

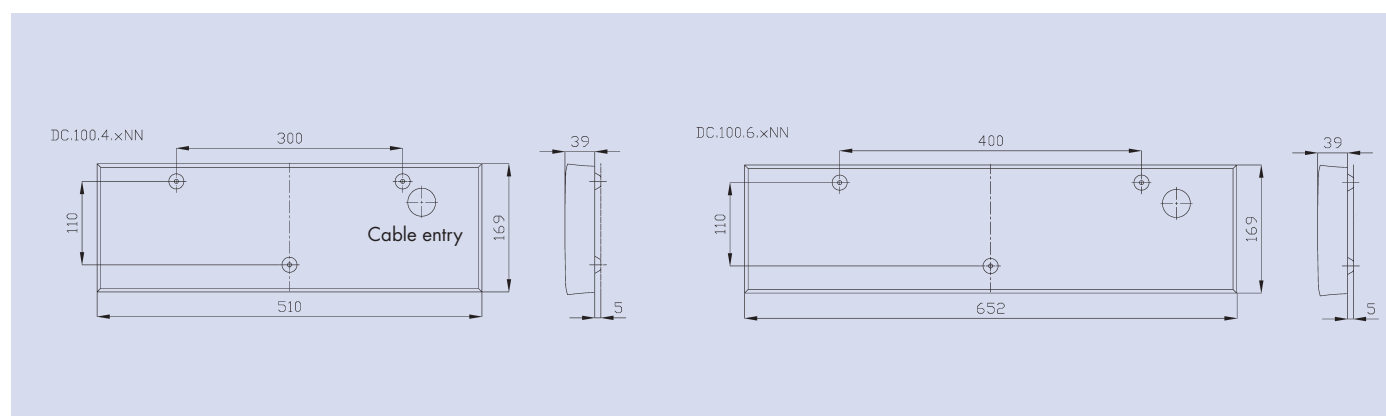
Example: Single-sided digital clock with 100 mm digit height.

Red 7-segment display with 6 digits (HH:MM SS) showing hour, minute and second respectively day, month and year. Wall surface mounting. Black anodised aluminium case. The clock is equipped with RS 232, RS 485 and IRIG-B input. Inclusive optional IR remote control unit for easy configuration and operation.

DC 100 . 6 . R . N . N . black . SI + IR



Notes: 1) Only for single-sided clocks 2) Specify suspension rod length with order (5, 10, 30 or 50 cm) 3) Specify auxiliary interface with order 4) External options may be ordered separately, e.g. one IR remote control for two or more clocks



LED Digital Clocks

DC Series

Technical Data		DC.57.4	DC.57.6	DC.100.4	DC.100.6
Display	Digit height	57 mm	57 / 38 mm	100 mm	100 / 57 mm
	Number of digits	4	4 + 2	4	4 + 2
Time display (12 or 24 hours)	HH:MM	✓	✓	✓	✓
	HH:MM SS		✓		✓
Date display	DD.MM	✓	✓	✓	✓
	DD.MM.YY		✓		✓
Automatic or manual display brightness		✓	✓	✓	✓
Viewing distance		25 m		40 m	
Autonomous operation		Internal quartz time base or external DCF 77 radio time code receiver			
Slave clock operation		(Un)polarized minute-, half-minute- or second-impulses or self-setting <i>MOBALine</i> time code			
Stopwatch functions		✓	✓	✓	✓
Power supply	AC (standard)	100 – 240 VAC / 50 – 60 Hz			
	DC (on request)	12 VDC / 24 VDC ±20 %			
Power consumption (red, green, yellow)	single-sided	10 VA	13 VA	11 VA	15 VA
	double-sided	18 VA	21 VA	19 VA	26 VA
Power consumption (blue)	single-sided	16 VA	20 VA	18 VA	25 VA
	double-sided	27 VA	38 VA	33 VA	46 VA
Quartz accuracy at 20 °C		±0.3 seconds / day			
Temperature display		-25 to +80 °C ±1.0 °C			
Operating temperature		0 to +50 °C			
Protection degree	standard	IP 40 (IP 402)			
	optional	IP 54			
Weight	single-sided	1.4 kg	1.8 kg	2.4 kg	3.1 kg
	double-sided	2.6 kg	3.0 kg	4.4 kg	5.6 kg
Dimensions in mm	single-sided	333 x 118 x 39	423 x 118 x 39	510 x 169 x 39	652 x 169 x 39
	double-sided	333 x 118 x 78	423 x 118 x 78	510 x 169 x 78	652 x 169 x 78
Available Options:					
Built-in RS 232, RS 485 and IRIG-B time code input for slave clock operation	SI	✓	✓	✓	✓
Built-in Ethernet interface for synchronization from a Multicast NTP time server	LAN	✓	✓	✓	✓
External temperature sensor for outdoor mounting (IP 66) with 2 m cable	TP	✓	✓	✓	✓
External buttons for stopwatch functions with 5 m cable	SK	✓	✓	✓	✓
IR remote control unit	IR	✓	✓	✓	✓
Radio time code receiver for DCF 77	DCF 450	✓	✓	✓	✓